

175-LWIN



Safe Ball® Insulated Lockwing Gas Service Ball Valve



ISO EN 9001:2000

125 G



175-LWIN
Corrosion Resistant TEA
Treatment



175-LWIN
With Extended Tailpiece

Description

The 175 LWIN features Jomar's proven hot forged brass, 100% full port, maintenance free (no lubrication required), ball valve design.

Model

175-LWIN is available in 3/4", 1" & 1-1/4" sizes with an insulated union end. 3/4" is available with a 3" extended insulated male tail piece.

Specifications

Leak tested 1.5 times service designation. Temperature range: - 40°F to 366°F

- 100% full port
- Hostafion®-TFM 1600 Seats
- Tamper resistant lockwing cap
- Double Viton® Stem O-rings
- 100% leak test
- CSA certified
- Meets or exceeds applicable part of DOT 192 and ANSI B16.33
- Thread conforms to ANSI B1.20.1

Options

- Brass or CSA painted gray finish
- Corrosion resistant TEA Treatment

Warranty

The Company, for a period of one year from the date of shipment, warrants each product or system of its own manufacture to the original purchaser to be free from defects in material and workmanship under normal use, service and maintenance.

Note: Information subject to change without notice.



Jomar International Ltd.
7243 Miller Drive
Warren, MI 48092
Phone: 800-325-5690
Fax: 800-628-4194
www.jomar.com

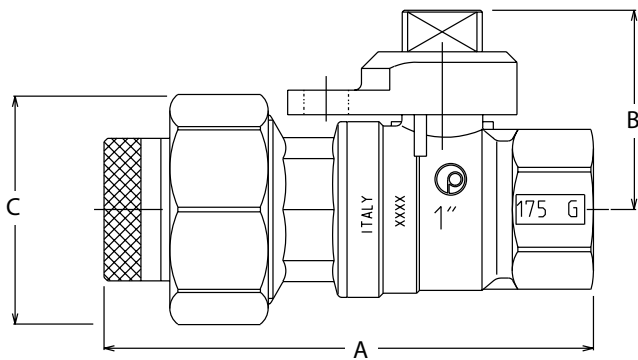
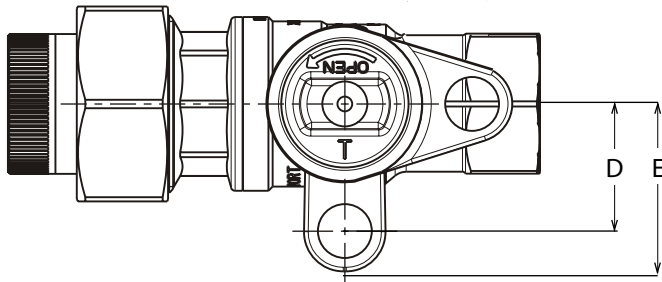
© Copyright 2006 Printed in U.S.A.
175-LWIN
0406

Safe Ball® Insulated Lockwing Gas Service Ball Valve



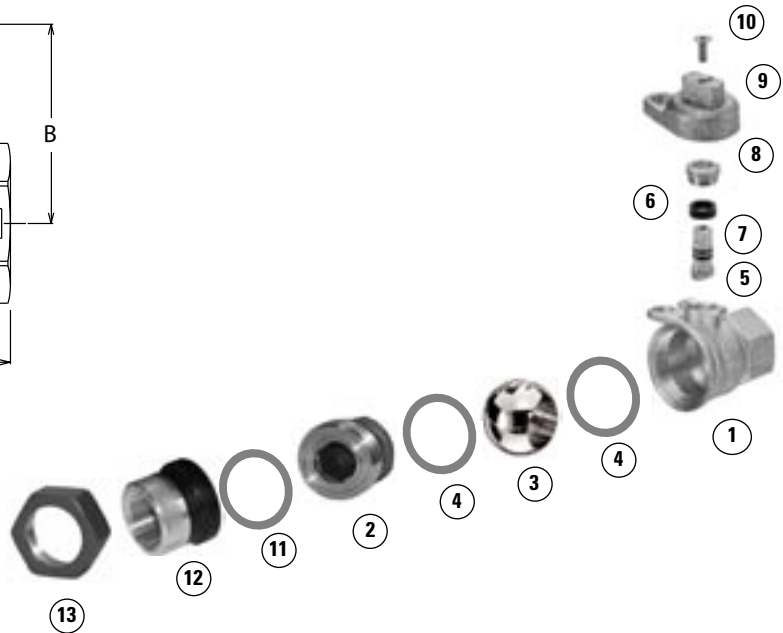
Dimensions in Inches

Computer Number	Valve Size	A	B	C	D	E
241-004	3/4"	4.94	1.87	1.81	1.08	1.50
241-005	1"	5.48	2.24	2.40	1.30	1.73
241-006	1-1/4"	5.88	2.46	2.60	1.50	1.93



Material Specifications

Item	Part Name	Material
1	Body	Forged Brass
2	End Adapter	Forged Brass
3	Ball	Chrome Plated Forged Brass
4	Seats (2)	Hostaflon™-TFM 1600
5	Stem	Extruded Brass
6	Stem Packing	Virgin PTFE
7	Stem O-Rings (2)	Viton*
8	Gland Follower	Brass
9	Lock Wing Cap	Brass
10	Screw	304 Stainless Steel
11	Union O-Ring	Viton*
12	Insulated Tail-Piece	Brass/Zytel
13	Union Nut	Forged Brass



Note: Information subject to change without notice.



Jomar International Ltd.
7243 Miller Drive
Warren, MI 48092
Phone: 800-325-5690
Fax: 800-628-4194
www.jomar.com

© Copyright 2006 Printed in U.S.A.
175-LWIN
0406